

# XL-120MKII

BELT-DRIVE MANUAL TURNTABLE

MANUELLER PLATTENSPIELER MIT RIEMENANTRIEB

GIRADISCOS MANUAL ACCIONADO POR CORREA

TABLE TOURNANTE MANUELLE ENTRAÎNÉE PAR COURROIE

OPERATIONS MANUAL

BEDIENUNGSHANDBUCH

MANUAL DEL OPERADOR

MANUEL D'INSTRUCTIONS



# 120



# MULTI LANGUAGE INSTRUCTIONS

ENGLISH.....	PAGE 5
DEUTSCH.....	PAGE 7
ESPAÑOL.....	PAGE 9
FRANCAIS.....	PAGE 11

## PLEASE READ BEFORE USING APPLIANCE, IMPORTANT WARNING & SAFETY INSTRUCTIONS!



**CAUTION**  
RISK OF ELECTRICAL SHOCK DO NOT OPEN!



**CAUTION:** This product satisfies FCC regulations when shielded cables and connectors are used to connect the unit to other equipment. To prevent electromagnetic interference with electric appliances such as radios and televisions, use shielded cables and connectors for connections.

The exclamation point within an equilateral triangle is intended to alert the user to the presence of important operating and maintenance (servicing) instructions in the literature accompanying the appliance.

The lightning flash with arrowhead symbol, within an equilateral triangle, is intended to alert the user to the presence of uninsulated "dangerous voltage" within the product's enclosure that may be of sufficient magnitude to constitute a risk of electric shock to persons.

**READ INSTRUCTIONS:** All the safety and operating instructions should be read before the product is operated.

**RETAIN INSTRUCTIONS:** The safety and operating instructions should be retained for future reference.

**HEED WARNINGS:** All warnings on the product and in the operating instructions should be adhered to.

**FOLLOW INSTRUCTIONS:** All operating and use instructions should be followed.

**CLEANING:** The product should be cleaned only with a polishing cloth or a soft dry cloth. Never clean with furniture wax, benzene, insecticides or other volatile liquids since they may corrode the cabinet.

**ATTACHMENTS:** Do not use attachments not recommended by the product manufacturer as they may cause hazards.

**WATER AND MOISTURE:** Do not use this product near water, for example, near a bathtub, wash bowl, kitchen sink, or laundry tub; in a wet basement; or near a swimming pool; and the like.

**ACCESSORIES:** Do not place this product on an unstable cart, stand, tripod, bracket, or table. The product may fall, causing serious injury to a child or adult, and serious damage to the product. Use only with a cart, stand, tripod, bracket, or table recommended by the manufacturer, or sold with the product. Any mounting of the product should follow the manufacturer's instructions, and should use a mounting accessory recommended by the manufacturer.

**CART:** A product and cart combination should be moved with care. Quick stops, excessive force, and uneven surfaces may cause the product and cart combination to overturn. See **Figure A**.

**VENTILATION:** Slots and openings in the cabinet are provided for ventilation and to ensure reliable operation of the product and to protect it from overheating, and these openings must not be blocked or covered. The openings should never be blocked by placing the product on a bed, sofa, rug, or other similar surface. This product should not be placed in a built-in installation such as a bookcase or rack unless proper ventilation is provided or the manufacturer's instructions have been adhered to.

**POWER SOURCES:** This product should be operated only from the type of power source indicated on the marking label. If you are not sure of the type of power supply to your home, consult your product dealer or local power company.

**LOCATION:** The appliance should be installed in a stable location.

**NON-USE PERIODS:** The power cord of the appliance should be unplugged from the outlet when left unused for a long period of time.

### GROUNDING OR POLARIZATION:

- If this product is equipped with a polarized alternating current line plug (a plug having one blade wider than the other), it will fit into the outlet only one way. This is a safety feature. If you are unable to insert the plug fully into the outlet, try reversing the plug. If the plug should still fail to fit, contact your electrician to replace your obsolete outlet. Do not defeat the safety purpose of the polarized plug.
- If this product is equipped with a three-wire grounding type plug, a plug having a third (grounding) pin, it will only fit into a grounding type power outlet. This is a safety feature. If you are unable to insert the plug into the outlet, contact your electrician to replace your obsolete outlet. Do not defeat the safety purpose of the grounding type plug.

**POWER-CORD PROTECTION:** Power-supply cords should be routed so that they are not likely to be walked on or pinched by items placed upon or against them, paying particular attention to cords at plugs, convenience receptacles, and the point where they exit from the product.

**OUTDOOR ANTENNA GROUNDING:** If an outside antenna or cable system is connected to the product, be sure the antenna or cable system is grounded so as

to provide some protection against voltage surges and built-up static charges. Article 810 of the National Electrical Code, ANSI/NFPA 70, provides information with regard to proper grounding of the mast and supporting structure, grounding of the lead-in wire to an antenna discharge unit, size of grounding conductors, location of antenna-discharge unit, connection to grounding electrodes, and requirements for the grounding electrode. See **Figure B**.

**LIGHTNING:** For added protection for this product during a lightning storm, or when it is left unattended and unused for long periods of time, unplug it from the wall outlet and disconnect the antenna or cable system. This will prevent damage to the product due to lightning and power-line surges.

**POWER LINES:** An outside antenna system should not be located in the vicinity of overhead power lines or other electric light or power circuits, or where it can fall into such power lines or circuits. When installing an outside antenna system, extreme care should be taken to keep from touching such power lines or circuits as contact with them might be fatal.

**OVERLOADING:** Do not overload wall outlets, extension cords, or integral convenience receptacles as this can result in a risk of fire or electric shock.

**OBJECT AND LIQUID ENTRY:** Never push objects of any kind into this product through openings as they may touch dangerous voltage points or short-out parts that could result in a fire or electric shock. Never spill liquid of any kind on the product.

**SERVICING:** Do not attempt to service this product yourself as opening or removing covers may expose you to dangerous voltage or other hazards. Refer all servicing to qualified service personnel.

**DAMAGE REQUIRING SERVICE:** Unplug this product from the wall outlet and refer servicing to qualified service personnel under the following conditions:

- When the power-supply cord or plug is damaged.
- If liquid has been spilled, or objects have fallen into the product.
- If the product has been exposed to rain or water.
- If the product does not operate normally by following the operating instructions. Adjust only those controls that are covered by the operating instructions as an improper adjustment of other controls may result in damage and will often require extensive work by a qualified technician to restore the product to its normal operation.
- If the product has been dropped or damaged in any way.
- When the product exhibits a distinct change in performance, this indicates a need for service.

**REPLACEMENT PARTS:** When replacement parts are required, be sure the service technician has used replacement parts specified by the manufacturer or have the same characteristics as the original part. Unauthorized substitutions may result in fire, electric shock, or other hazards.

**SAFETY CHECK:** Upon completion of any service or repairs to this product, ask the service technician to perform safety checks to determine that the product is in proper operating condition.

**WALL OR CEILING MOUNTING:** The product should not be mounted to a wall or ceiling.

**HEAT:** The product should be situated away from heat sources such as radiators, heat registers, stoves, or other products (including amplifiers) that produce heat.



Fig. A

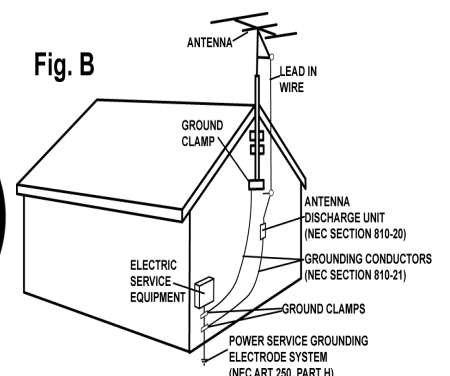


Fig. B

NEC — NATIONAL ELECTRICAL CODE

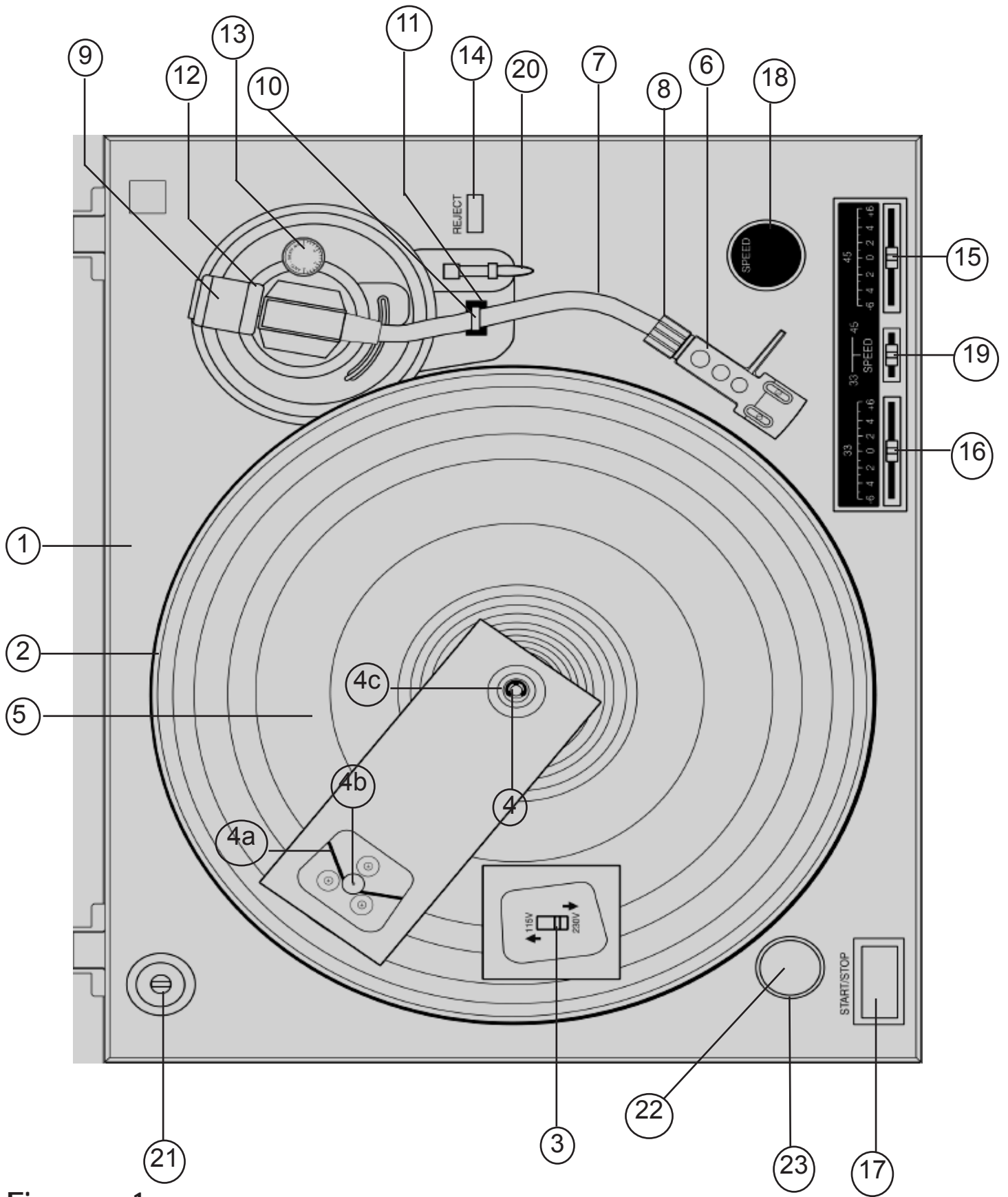


Figure 1

# XL-120 MKII

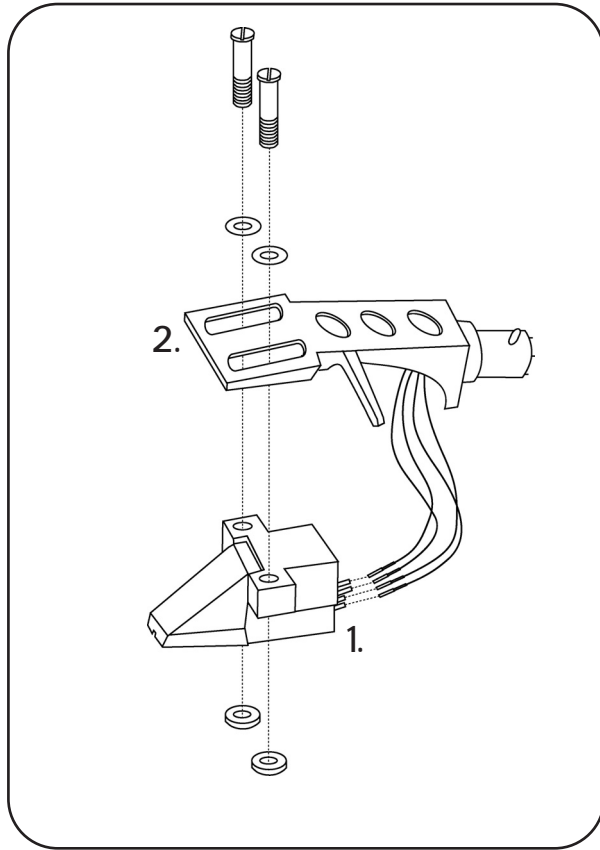


Figure 2

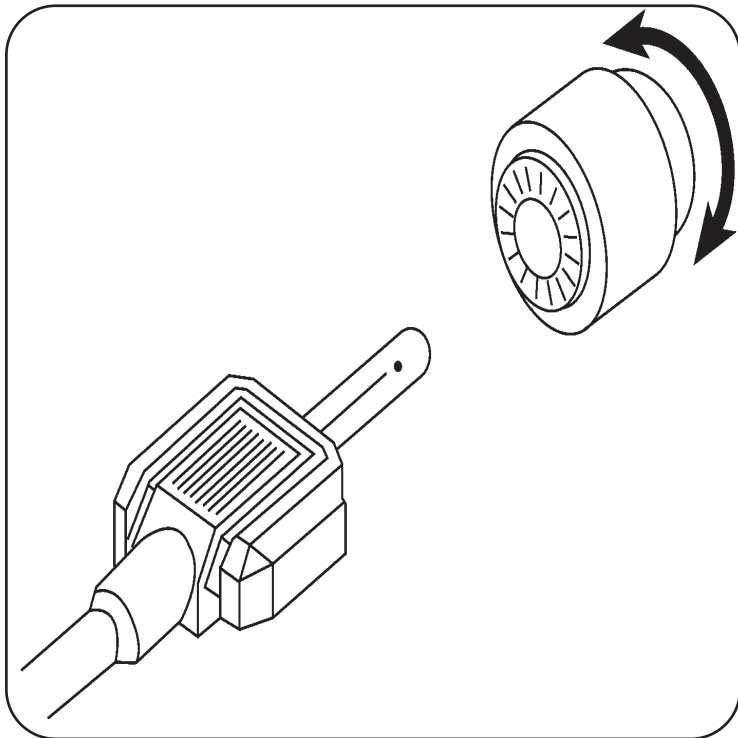


Figure 3A

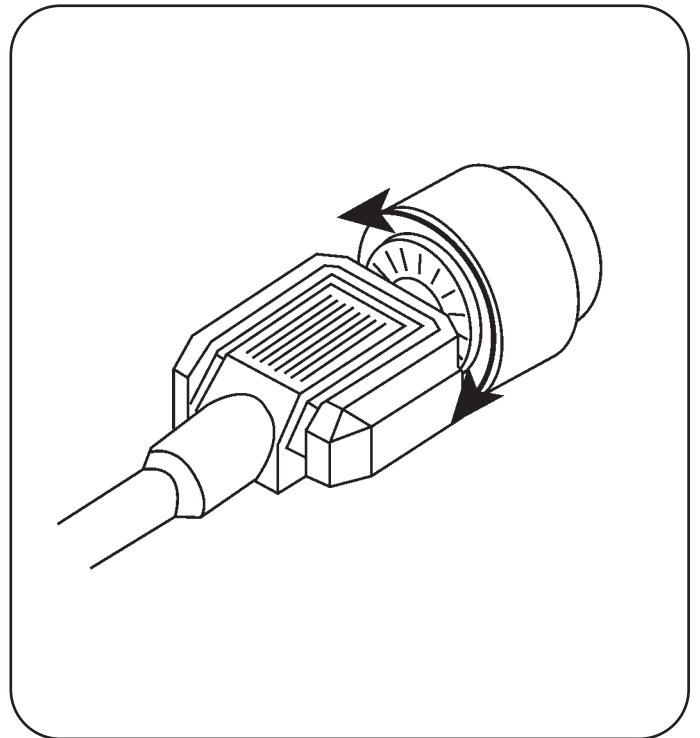


Figure 3B



# INTRODUCTION:

Congratulations on purchasing a **Gemini XL-120MKII turntable**. This state of the art turntable includes the latest features. Prior to use, we suggest that you carefully read all the instructions.

## FEATURES:

- S-Shaped Tone Arm
- Anti Skate Adjustment
- Strobe Illuminator
- Start/Stop Button
- Dust Cover
- Adjustable Pitch +/- 6%
- Removeable Headshell & Cartridge Included
- 33/45 RPM
- "G" Slipmat

## PRECAUTIONS:

1. Read all operating instructions before using this equipment.
2. To reduce the risk of electrical shock, do not open the unit. **THERE ARE NO USER REPLACEABLE PARTS INSIDE.** Please contact the Gemini Service Department or your authorized dealer to speak to a qualified service technician.
3. Tone Arm bearings are factory set and sealed. Any attempt at adjustment will void the warranty.
4. Be sure that all AC power is **OFF** while making connections.
5. Cables should be low capacitance, shielded and of proper length. Make sure that all plugs and jacks are tight and properly connected.
6. Always begin with the audio level faders/volume controls set at minimum and the speaker volume control(s) set to **OFF**. Wait 8 to 10 seconds prior to turning up the speaker volume to prevent the transient **"POP"** that could result in speaker/crossover damage.
7. **DO NOT EXPOSE THIS UNIT TO RAIN OR MOISTURE.**
8. **DO NOT USE ANY SPRAY CLEANER OR LUBRICANT ON ANY CONTROLS OR SWITCHES.**

## PARTS CHECKLIST:

Turntable unit.....	1
Dust cover hinges.....	2
Turntable platter.....	1
45 RPM adapter.....	1
Rubber mat.....	1
Counter balance.....	1
Dust cover.....	1
Headshell.....	1
Cartridge.....	1

## ASSEMBLY AND SET-UP:

NOTE: SEE FIG. 1 FOR PART NUMBERS AND LOCATIONS.

### VOLTAGE SELECTION:

Rotate the **PLATTER (2)** until the **VOLTAGE SELECTOR (3)** (located on the **TURNTABLE BASE (1)**) is visible through one of the platter holes. Make sure that the **VOLTAGE SELECTOR (3)** switch is set to the correct voltage.

**WARNING:** If you try to operate the turntable with the incorrect voltage setting, it can damage your turntable.

### ATTACHING THE TURNTABLE BELT:

The **TURNTABLE BELT (4A)** comes attached to the **PLATTER (2)** and the **MOTOR SPINDLE (4B)** but can some times detach in shipping. Rotate the **PLATTER (2)** and look through the platter holes to check if the belt detached. If the belt is not wrapped tightly around the platter and the **MOTOR SPINDLE (4B)**, you need to reattach it.

1. First, place a screwdriver in the center of **LOCKING WASHER (4C)** around the **CENTER SPINDLE (4)** and gently pry the washer off.

2. Remove the **PLATTER (2)** and wrap the **TURNTABLE BELT (4A)** around the inner circle under the **PLATTER (2)**. Do not stretch out the belt.

3. Replace and rotate the **PLATTER (2)** until the **MOTOR SPINDLE (4B)** is visible, then fit your fingers in hole on the top of the **PLATTER (2)**, feel for and grab the rubber belt and attach to the **MOTOR SPINDLE (4B)**.

4. Replace the **LOCKING WASHER (4C)**.

## TURNTABLE INSTALLATION:

1. Put the **RUBBER MAT (5)** on the **PLATTER (2)**.
2. Set the **TURNTABLE BASE (1)** on a flat, level surface free of vibration. Use the turntable feet to horizontally stabilize the unit.
3. Try to place the unit as far away from the speakers as possible.
4. Keep the unit away from direct exposure to the sun, heat, moisture or dirt.
5. Keep the unit well ventilated.

## CARTRIDGE INSTALLATION: (SEE FIG. 2)

Because all cartridges have their own designs, please refer to your particular cartridge's instructions to insure proper installation.

1. Connect the lead wires to the cartridge terminals. For your convenience, the terminals of most cartridges are color coded. Connect each lead wire to the terminal of the same color.

White (L+).....Left Channel +  
 Blue (L-).....Left Channel -  
 Red (R+).....Right Channel +  
 Green (R-).....Right Channel -

2. Mount the cartridge in the **HEADSHELL (6)** and tighten it with the screws included with the cartridge.

### **ATTENTION STANTON 680 CARTRIDGE USERS**

When using a Stanton 680 or similar cartridge, where the body is grounded to a cartridge terminal, remove the grounding strap from the cartridge body to the cartridge ground terminal. Failure to do this may result in excessive hum.

## HEADSHELL INSTALLATION:

Insert the **HEADSHELL (6)** into the front of the tubular **TONE ARM (7)**. While holding the **HEADSHELL (6)** firmly in a horizontal position, turn the **LOCKING NUT (8)** counter clockwise until the **HEADSHELL (6)** is locked in place.

## COUNTERWEIGHT INSTALLATION: (SEE FIG. 3A & 3B)

1. Slide the **COUNTERWEIGHT (9)** onto the rear of the **TONE ARM (7)** with the numbered stylus gauge facing forward.
2. Twist the **COUNTERWEIGHT (9)** lightly counter clockwise, to screw it onto the rear of the **TONE ARM (7)**.

## ADJUSTING HORIZONTAL ZERO (0) BALANCE AND STYLUS PRESSURE:

1. Without touching the stylus tip, remove the stylus protector (if your cartridge has a detachable one).
2. Release the **ARM CLAMP (10)** and lift the **TONE ARM (7)** off the **ARM REST (11)**.
3. Counter clockwise advancement of the **COUNTERWEIGHT (9)** will cause the cartridge side of the **TONE ARM (7)** to be lowered. Clockwise will cause the opposite. Turn the **COUNTERWEIGHT (9)** clockwise or counter clockwise as needed until the **TONE ARM (7)** is balanced horizontally. You can easily tell this by watching for the point where the **TONE ARM (7)** "floats" freely.

- Place **TONE ARM** (7) on **ARM REST** (11) and lock it in place with the **ARM CLAMP** (10).
- With the **TONE ARM** (7) locked on the **ARM REST** (11), hold the **COUNTERWEIGHT** (9) steady with one hand while rotating the **STYLUS PRESSURE RING** (12) until the numeral "0" on the ring aligns with the center line on the **TONE ARM** (7) rear shaft. The horizontal zero (0) balance should be completed.
- Refloat the **TONE ARM** (7) to ensure horizontal zero (0) balance. If zero balance has not been maintained, repeat counterweight steps 3-5.
- After adjusting the horizontal zero (0) balance, turn the balanced **COUNTERWEIGHT** (9) counter clockwise until the cartridge manufacturer's recommend stylus pressure appears on the **STYLUS PRESSURE RING** (12) where it meets the center line of the **TONE ARM** (7) rear shaft.

### **ADJUSTING THE ANTI-SKATING CONTROL:**

Set the **ANTI-SKATING CONTROL** (13) to the same value as the stylus pressure.

**NOTE: THE CN- 25 CARTRIDGE THAT COMES WITH THE TURNTABLE HAS A RECOMMENDED TRACKING FORCE OF 3.0 GRAMS AND CAN have RANGE FROM 2.5 - 3.5 GRAMS.**

### **INSTALLING THE DUSTCOVER:**

- Hold the dustcover in position, directly above the turntable, and slide the hinge bases into the holders mounted on the rear panel.
- Always raise the dustcover before removal.
- Avoid opening and closing the dustcover during play. Undesirable vibration and stylus skipping can result.

### **CONNECTIONS:**

- Plug the AC power plug into an appropriate outlet.
- See **Table A** for proper connection of the output RCA plugs and ground connector. Make sure that all the plugs are firmly plugged into the appropriate jacks (phono inputs).

**NOTE: TO REDUCE HUM, MAKE SURE THE GROUND LUG IS FIRMLY CONNECTED TO THE GROUND SCREW.**

**TABLE A**

OUTPUT CONNECTORS	MIXER OR RECEIVER
L (WHITE)	PHONO L CHANNEL
R (RED)	PHONO R CHANNEL
GND (Spade Lug)	GND SCREW

### **OPERATING INSTRUCTIONS:**

#### **BASIC OPERATION:**

- Place a record on the **RUBBER MAT** (5) which sits on the **PLATTER** (2).
- Select the desired speed by depressing the **33** or **45 SPEED SELECTOR** (19) button.
- Turn the **POWER** (14) switch to the "ON" position, at which point the **STROBE ILLUMINATOR** (built into the **POWER** (14) switch and the speed indicator (for the selected speed) will illuminate.
- Remove the stylus protector (if applicable to your cartridge).
- Release the **ARM CLAMP** (10) found on the **ARM REST** (11).
- Push the **START/STOP** (17) button. The turntable **PLATTER** (2) will start to spin.

- Push the **CUE LEVER** (20) to the "UP" position.
- Position the tone arm over the desired position on the record and push the **CUE LEVER** (20) to the "DOWN" position. The **TONE ARM** (7) will slowly lower onto the record at which time play will begin.
- When play is over, raise the **TONE ARM** (7), move it to the **ARM REST** (11), and secure it with the **ARM CLAMP** (10).
- You now have the option of turning off the power by turning the **POWER** (14) switch to the "OFF" position, or stopping the **PLATTER** (2) by pushing the **START/STOP** (17) button and engaging the electronic brake.

### **INTERRUPTING PLAY:**

- Pushing the **CUE LEVER** (20) to the "UP" position will cause the **TONE ARM** (7) to lift stopping play.
- Pushing the **CUE LEVER** (20) to the "DOWN" position will cause the **TONE ARM** (7) to slowly lower onto the record at the point where play was interrupted.
- Pushing the **START/STOP** (17) button stops the **PLATTER** (2) and leaves the **TONE ARM** (7) at the last play position on the record.

### **PLAYING 45 RPM RECORDS:**

- When playing a 45 rpm record with a large center hole, first place the **45 ADAPTER** (21) on the center spindle.
- Be sure that the **SPEED SELECTOR** (19) switch is set to the 45 position and the **45 SPEED INDICATOR** (18) is illuminated.

### **ADJUSTING THE PITCH CONTROL:**

- The **XL-120 MKII** is equipped with two **PITCH CONTROLS** (15, 16), one for each speed.
- When the selected speed's **PITCH CONTROL** (15, 16) is positioned off center, the pitch can vary +/- 6%.
- The **PLATTER** (2) is equipped with a **STROBE RPM INDICATOR STRIP** (22). When the **PLATTER** (2) is spinning, the **STROBE ILLUMINATOR** (23) illuminates the **STROBE RPM INDICATOR STRIP** (22). The bottom row of dots will appear to be stationary when the speed of the platter is exactly 33 RPM-50 Hz (230V) and the top row will appear to be stationary at 33 RPM-60Hz (115V).

### **SPECIFICATIONS:**

#### **TURNTABLE SECTION:**

Type.....Belt Drive Manual Turntable  
 Drive Method.....Belt Drive  
 Motor.....DC EG Servo Motor  
 Speed.....33 1/3 or 45 RPM  
 Braking System.....Electronic Brake (Solenoid)  
 Platter.....11.82"/300mm Dia.  
 Wow and Flutter.....Less than 0.20% WRMS\*

\* THIS RATING REFERS TO THE TURNTABLE ASSEMBLY AND PLATTER ONLY AND EXCLUDES EFFECTS OF RECORDS, CARTRIDGES OR TONEARMS.

#### **TONEARM SECTION:**

Type.....Statically Balanced S-Shaped Tonearm  
 Headshell Weight.....5.6 g

#### **GENERAL:**

Power Supply.....AC 115/230V 60/50Hz  
 Power Consumption.....5 Watts  
 Dimensions.....16.5" x 4.75" x 13.75"  
 .....420mm x 120mm x 350mm  
 Weight.....7.75 lbs. (3.5 Kg)

SPECIFICATIONS ARE SUBJECT TO CHANGE WITHOUT NOTICE. THE WEIGHT AND DIMENSIONS SHOWN ARE APPROXIMATE.

## EINLEITUNG:

Wir gratulieren Ihnen zum Kauf eines **Gemini XL-120MKII Plattenspielers**. Dieses hochentwickelte erstklassige Gerät enthält die neuesten Leistungsmerkmale. Vor Anwendung dieses Plattenspielers bitte alle Anweisungen sorgfältig durchlesen.

## LEISTUNGSMERKMALE:

- S-formiger Tonarm
- Antiskate Reglulier
- Stroblicht
- Start-/Stop-Funktionstaste
- Abdeckhaube
- ± 6% Tonhöhenabstimmung
- Removeable Tonkopf AND Tonabnehmer enthalten
- 33/45 U/min
- "G" Slipmat

## VORSICHTSMANAHMEN:

1. Vor Anwendung dieses Geräts bitten alle Anweisungen sorgfältig durchlesen.
2. Das Gerät nicht öffnen, um das Risiko elektrischen Schocks zu mindern. **ES ENTHÄLT KEINE VOM ANWENDER ERSETZBAREN TEILE**. Die Wartung darf nur von befähigten Wartungstechnikern durchgeführt werden.
3. Die Tonarmlager sind werkseingestellt und abgedichtet. Jegliche Änderungsversuche machen die Garantie ungültig.
4. Darauf achten, da beim Anschluß die Wechselstromleistung abgeschaltet ist.
5. Nur kapazitätsarme, abgeschirmte Kabel vorschriftsmäßiger Länge benutzen. Darauf achten, da alle Stecker und Buchsen fest angeschraubt und richtig angeschlossen sind.
6. Zu Beginn müssen die Tonpegelüberblender und Lautstärkenregler auf Mindeststärke eingestellt und der (die) Lautstärkenregler in **OFF**-Position geschaltet sein. Vor dem Lautstellen 8 bis 10 Sekunden warten, um den durch Einschwingung erzeugten Schroteffekt zu vermeiden, welches zu Lautsprecher- und Frequenzweichenschaden führen könnte.
7. **DIESES GERÄT NICHT REGEN ODER FEUCHTIGKEIT AUSSETZEN.**
8. **AN DEN REGLERN ODER SCHALTERN KEIN SPRAY-REINIGUNGSMITTEL ODER SCHMIERMITTEL BENUTZEN.**

## TEILE-CHECKLIST:

Plattenspieler.....	1
Plattenteller.....	1
Gummiteller.....	1
Abdeckhaube.....	1
Abdeckhaubenscharnier.....	2
45-U/min-Adapter.....	1
Balancegewicht.....	1
Tonkopf.....	1
Tonabnehmer.....	1

## ZUSAMMENBAU UND ANORDNUNG:

HINWEIS: SIEHE ABBILDUNG 1 FÜR TEILENUMMERN UND POSITIONEN.

### SPANNUNGSWAHL:

Den **PLATTER (2) - PLATTENTELLER** rotieren bis den **VOLTAGE SELECTOR (3) - SPANNUNGSWAHLER** (befindet sich auf dem **TURNTABLE BASE (1) - PLATTENSPIELERCHASSIS**) sichtbar ist durch ein Loch des Plattentellers. Den **VOLTAGE SELECTOR (3)** auf der richtigen Spannung setzen.

**WARNUNG: LASSEN SIE DEN PLATTENSPIELER ROTIEREN MIT EINER FALSCHEN SPANNUNGSEINSTELLUNG, DANN KANN DER PLATTENSPIELER SICH BESCHÄDIGEN.**

### WIE MAN DEN PLATTENTELLERRIEMEN ANBRINGT:

Der **TURNTABLE BELT (4A) - Riemen** wird am unteren Ende des **PLATTER (2)** und der **MOTOR SPINDLE (4B) - MOTORWELLE** befestigt geliefert, kann sich manchmal aber beim Versand lösen. Den **PLATTER (2)** drehen und durch die Löcher im Plattentellerchassis blicken, um nachzuprüfen, ob der Riemen angebracht ist. Wenn der Riemen nicht fest um das Plattentellerchassis und die **MOTOR SPINDLE (4B)** angelegt ist, muß er neu angelegt werden.

1. Zuerst einen Schraubenzieher in die Mitte der **LOCKING WASHER (4C) - Sicherungsscheibe** um die **CENTER SPINDLE (4) - MITTIGE SPINDEL** setzen, und dann behutsam die Scheibe ablösen.

2. Das Plattentellerchassis abnehmen, und den Riemen um den inneren Ring unter das Plattentellerchassis legen. Den Riemen nicht dehnen.

3. Den **PLATTER (2)** aufsetzen und drehen, bis die **MOTORWELLE** sichtbar ist, dann die Finger in das Loch am oberen Plattentellerrand einführen und nach dem Gummieren tasten, diesen ergreifen und dann auf der **MOTORWELLE** anbringen.

4. Sie Sicherungsscheibe wieder einsetzen.

### EINBAU DES PLATTENSPIELERS:

1. Den **RUBBER MAT (5) - GUMMITELLER** auf den **PLATTER (2)** legen.

2. Setzen Sie das **TURNTABLE BASE (1) - PLATTENSPIELERCHASSIS** auf eine flache, ebene Fläche ohne Vibration. Es mit den Plattentellerfüßen horizontal lagefest machen.

3. Das Gerät so weit wie möglich von den Lautsprechern entfernt aufstellen.

4. Das Gerät von direktem Sonnenlicht, Wärme, Feuchtigkeit oder Schmutz fernhalten.

5. Das Gerät in gut belüfteter Umgebung aufstellen.

### EINBAU DES TONABNEHMERS: (SIEHE ABBILDUNG 2)

Weil alle Tonabnehmer individuell ausgeführt sind, siehe jeweilige Anweisungen für Tonabnehmer, um richtigen Einbau sicherzustellen.

1. Die Zuleitungsdrähte an den Tonabnehmerklemmen anschließen. Um den Anschluß zu erleichtern, sind die meisten Tonabnehmerklemmen farbkodiert. Die Zuleitungsdrähte an den Klemmen der jeweiligen Farbkennzeichnung anschließen.

Weiß (L+).....	linker Kanal +
Blau (L-).....	linker Kanal -
Rot (R+).....	rechter Kanal +
Grün (R-).....	rechter Kanal -

2. Den Tonabnehmer in den **HEADSHELL (6) - TONKOPF** einbauen und mit den dem Tonabnehmer beigegefügt Schrauben befestigen.

### **WICHTIG FÜR ALLE ANWENDER DES STANTON 680 TONABNEHMERS**

Bei Anwendung eines Stanton oder ähnlichen Tonabnehmer, wo der Körper an einer Tonabnehmerklemme geerdet ist, den Erdungsdraht entfernen, der vom Körper des Tonabnehmers zur Erdungsklemme führt. Nichtbeachtung dieser Manahme kann zu übermäßigem Brummen führen.

### EINBAU DES TONKOPFES:

Den **HEADSHELL (6)** in der Vorderseite des röhrenförmigen **TONE ARM (7) - TONARMS** einfügen. Beim Halten des **HEADSHELL (6)** in horizontaler Position die **LOCKING NUT (8) SICHERUNGSMUTTER** gegen den Uhrzeigersinn drehen, bis der **HEADSHELL (6)** einrastet.

### EINBAU DES BALANCEGEWICHTS: (SIEHE ABBILDUNG 3A UND 3B)

1. Das **COUNTERWEIGHT (9) - BALANCEGEWICHT** auf den hinteren Teil des **TONE ARM (7)** Schieben, wobei die numerierte Nadeldicke nach vorne gerichtet sein muss.

2. Das **COUNTERWEIGHT (9)** gering im Gegenuhrzeigersinn ziehen, um es auf den hinteren Teil des **TONE ARM (7)** zu schrauben.

### HORIZONTALER NULLPUNKTABGLEICH UND REGULIERUNG DES AUFLAGEDRUCKS:

1. Ohne die Nadelspitze zu berühren, entfernen Sie den Nadelschutz (falls Ihr Tonabnehmer einen abnehmbaren Nadelschutz hat).

- Die **ARM CLAMP** (10) - **TONARM-KLEMMSCHELLE** freigeben und den **TONE ARM** (7) von der **ARM REST** (11) - **TONARMAUFLAGE** abheben.
- Durch das Verdrehen gegen den Uhrzeigersinn des **COUNTERWEIGHT** (9) wird die Tonabnehmerseite des **TONE ARM** (7) gesenkt. Beim Drehen im Uhrzeigersinn geschieht das Gegenteil. Das **COUNTERWEIGHT** (9) je nach Bedarf im oder gegen den Uhrzeigersinn drehen, bis der **TONE ARM** (7) horizontal ausbalanciert ist. Dies lässt sich leicht feststellen, indem man die Stelle beobachtet, wo der **TONE ARM** (7) unbehindert "schwimmt".
- Den **TONE ARM** (7) auf die **ARM REST** (11) setzen und ihn mit der **ARM CLAMP** (10) festklemmen.
- Indem der **TONE ARM** (7) auf der **ARM REST** (11) festgeklemmt ist, halten Sie das **COUNTERWEIGHT** (9) ruhig mit der Hand, während Sie den **STYLUS PRESSURE RING** (12) - **AUFLAGEDRUCKRING ROTIEREN**, bis sich die Ziffer "0" auf dem Ring mit der Mittellinie an der Hinterwelle des **TONARMS** ausrichtet. Der horizontale Nullpunktgleich (0) ist nun abgeschlossen.

6. Den **tone arm** (7) erneut schwimmen lassen, um sicherzustellen, da der horizontale Nullpunktgleich (0) beibehalten wird. Wird er nicht beibehalten, wiederholen Sie Schritte 3 - 5.

7. Nach dem horizontalen **NULLPUNKTGLEICH** das abgegliche **COUNTERWEIGHT** (9) gegen den Uhrzeigersinn drehen, bis der vom Tonabnehmerhersteller empfohlene Auflagedruck auf dem **STYLUS PRESSURE RING** (12) erscheint, wo er mit der Mittellinie des **TONE ARM** (7) zusammentrifft.

### **REGULIERUNG DER ANTISKATING-VORRICHTUNG:**

Die **ANTI-SKATING CONTROL** (13) - **ANTISKATING-VORRICHTUNG** auf den gleichen Wert wie den Auflagedruck einstellen.

**ANMERKUNG: DIE CN-25 PATRONE, DIE MIT DER DREHSCHIBE KOMMT, HAT EIN RECOMMENDED, KRAFT VON 3,0 GRAMM AUFGESPÜREN UND KANN STRECKE VON 2,5 - 3,5 GRAMM HABEN**

### **EINBAU DER ABDECKHAUBE:**

- Halten Sie die Abdeckhaube direkt über dem Plattenteller in Position und schieben die Scharniersockel in die Halterungen, die in die Rückwand montiert sind.
- Vor dem Entfernen immer die Abdeckhaube anheben.

3. Es sollte vermieden werden, die Abdeckhaube während des Spielens zu öffnen und zu schließen. Dies könnte zu unerwünschten Vibrationen und Nadelstößen führen.

### **ANSCHLÜSSE:**

- Den Gleichstromleistungsstecker an einer geeigneten Buchse anschließen.
- Siehe Tabelle A für vorschrittmäßige Anschlüsse der Ausgangs-RCA-Stecker und des Erdungssteckers. Achten Sie darauf, dass alle Stecker an den richtigen Buchsen fest angeschlossen sind (Phono-Eingänge). Um Brummtöne zu vermindern, ist darauf zu achten, dass die Erdungssöse fest an der Erdungsschraube angeschlossen ist.

**TABELLE A**

AUSGANGS-ANSCHLUSS	MIXER ODER RECEIVER
L ( Weiß )	PHONO- L KANAL
R ( ROT )	PHONO- R KANAL
ERDUNG (Flachöse)	Erdungsschraube

### **BEDIENUNGSANWEISUNGEN:**

#### **GRUNDBETRIEB:**

- Die Platte auf den **RUBBER MAT** (5) legen, die auf dem **PLATTER** (2) sitzt.
- Die gewünschte Drehzahl auswählen, indem Sie an der **SPEED SELECTOR** (19) - **DREHZAHLTASTE** entweder 33 oder 45 auswählen.
- Den **POWER** (14) - **LEISTUNGSSCHALTER** in die "ON"-Position schalten, woraufhin das (in den **POWER** (14) eingebaute) Strobelicht und die drehzahlanzeige (für die ausgewählte Drehzahl) aufleuchten wird.
- Den Nadelschutz abnehmen (falls an Ihrem Tonabnehmer vorhanden).

- Die **ARM CLAMP** (10) an der **ARM REST** (11) freigeben.
- Die **START/STOP** (17) taste drücken. Der **PLATTER** (2) wird anfangen zu drehen.
- Den **CUE LEVER** (20) - **CUEING-HEBEL** in die "UP"-Position schieben.
- Den Tonarm über die gewünschte Rille auf der Platte positionieren, und den **CUE LEVER** (20) in die "DOWN"-Position schieben. Der **TONE ARM** (7) wird sich langsam auf die Platte senken, woraufhin die Platte zu spielen beginnt.
- Bei Beendigung des Spielens heben Sie den **TONE ARM** (7), schieben ihn auf die **ARM REST** (11) und befestigen ihn mit der **ARM CLAMP** (10).
- Nun haben Sie die Option, den Strom abzuschalten, indem Sie den **POWER** (14) in die "OFF"-Position schalten, oder den **PLATTER** (2) zu stoppen, indem Sie die **START/STOP** (17) taste drücken und die elektronische Bremse aktivieren.

### **SPIELUNTERBRECHUNG:**

- Durch das Schieben des **CUE LEVER** (20) in die "UP"-Position wird der **TONE ARM** (7) angehoben und unterbricht das Spielen.
- Das Schieben des **CUE LEVER** (20) in die "DOWN"- Position wird den **TONE ARM** (7) langsam an der Stelle auf die Platte setzen, wo das Spielen unterbrochen wurde.
- Das Drücken der **START/STOP** (17) taste stoppt den **PLATTER** (2) und lässt den **TONE ARM** (7) in der letzten Spielposition auf der Platte.

### **DAS SPIELEN VON 45-U/MIN-PLATTEN:**

- Wenn Sie eine 45-U/min-Platte spielen, die ein groß Mittelloch hat, setzen Sie zunächst einen **45 ADAPTER** (21) auf die Spindel.
- Darauf achten, da die **SPEED SELECTOR** (19) - **45-U/min-DREHZAHLWÄHLTASTE** gedrückt ist und die **SPEED INDICATOR** (18) - **45-U/min-DREHZAHLANZEIGE** aufleuchtet.

### **REGULIERUNG DER TONHÖHENABSTIMMUNG:**

- Der **XL-120MKII** ist mit zwei **PITCH CONTROLS** (15, 16) - **TONHÖHENREGLERN**, für jede Drehzahl einen, ausgerüstet.
- Wenn der **PITCH CONTROL** (15, 16) der ausgewählten Drehzahl exzentrische eingestellt ist, kann die Tonhöhe um +/- 6% schwanken.
- Der **PLATTER** (2) ist mit einem **STROBE RPM INDICATOR STRIP** (22) - **STROBELICHT-U/MIN-ANZEIGESTREIFEN** ausgerüstet. Wenn sich der **PLATTER** (2) dreht, erleuchten die **STROBE ILLUMINATOR** (23) - **STROBELICHTER** den **STROBE RPM INDICATOR STRIP** (22). Die untere Punktreihe wird feststehend erscheinen, wenn die Drehzahl genau 33 U/min-50 Hz (230V) ist und die obere Reihe wird bei einer Drehzahl von 33 U/min-60 Hz (115V) feststehend erscheinen.

### **SPEZIFIKATIONEN:**

#### **PLATTENSPIELER:**

Typ.....Manueller Plattenspieler mit Riemenantrieb  
 Antriebsmethode.....Riemenantrieb  
 Motor.....DC Gleichstrommotor  
 Drehzahl.....33 1/3 oder 45 U/min  
 Bremssystem.....Electronic Bremsen  
 Tonhöhenchwankungen.....0,20% WRMS\*

\* **DIESER NENNWERT BEZIEHT SICH NUR AUF DIE PLATTENSPIELERMONTAGE UND AUF DEN PLATTENTELLER, AUSSCHLIEßLICH AUSWIRKUNGEN DER PLATTEN, TONABNEHMER ODER TONARME.**

#### **TONARM:**

Typ.....S-förmiger statisch balanzierter Tonarm  
 Tonkopfgewicht.....5.6 g

#### **ALLGEMEINES:**

Stromversorgung.....115V 60Hz/230V 50Hz  
 Stromverbrauch.....15 W  
 Abmessungen.....420 x 120 x 350 mm  
 Gewicht.....5.1 kg

**SPEZIFIKATIONEN KÖNNEN OHNE VORHERIGE ANMELDUNG GEÄNDERT WERDEN. GEWICHTSANGABEN UND ABMESSUNGEN SIND ANNÄHERND.**



# INTRODUCCIÓN:

Felicitaciones por su compra de un tocadiscos **Gemini XL-120MKII**. Este tocadiscos de la más avanzada tecnología está dotado de características ultramodernas. Antes de usarlo, le recomendamos leer cuidadosamente todas las instrucciones.

## CARACTERÍSTICAS:

- Brazo en S
- Ajuste Anti-Skating
- Iluminador estroboscópico
- Botón Start/Stop
- Tapa protectora polvo
- Regulación de Pitch +/-16%
- Portacápsulas y cápsula extraíble incluidos
- Velocidad 33/45 RPM
- Patinador "G"

## PRECAUCIONES:

1. Deberán leerse todas las instrucciones de operación antes de usar el equipo.
2. Para reducir el riesgo de shock eléctrico, no abra la unidad. **NO CONTIENE PIEZAS REEMPLAZABLES POR EL USUARIO**. Sírvase comunicarse con el Departamento de Servicio Gemini o su distribuidor autorizado y hablar con un técnico de servicio calificado.
3. Los cojinetes del brazo de fonocaptor están ajustados y sellados en fábrica. Cualquier intento de ajuste dejará sin efecto la garantía.
4. Cerciórese de que toda la corriente **CA** esté **APAGADA** para efectuar las conexiones.
5. Los cables deberán ser de baja capacidad, reguardados, y de apropiado longitud. Cerciórese de que todos los enchufes y jacks estén apretados y debidamente conectados.
6. Comience siempre con los atenuadores de nivel de audio/control de volumen fijados en el nivel mínimo y el control de volumen de los altoparlantes fijados en **APAGADO**. Espere 8 a 10 segundos antes de aumentar el volumen de los altoparlantes para evitar el "chasquido" transitorio que podría ocasionar daños a los altoparlantes/de cruce.
7. **NO DEJE ESTA UNIDAD EXPUESTA A LLUVIA O HUMEDAD.**
8. **NO USE NINGUN LIMPIADOR DE ROCÍO O LUBRICANTE EN CUAQUIERA DE LOS CONTROLES O INTERRUPTORES.**

## LISTA DE COMPROBACIÓN DE PIEZAS:

Unidad de tocadisco.....	1
Plato del tocadisco.....	1
Estera de goma.....	1
Tapa contra polvo.....	1
Bisagra de tapa contra polvo.....	2
Adaptador de 45 rpm.....	1
Contrapeso.....	1
Portafonocaptor.....	1
Cartucho.....	1

## MONTAJE Y CONFIGURACIÓN:

NOTA: VÉASE LA FIG. 1 PARA NÚMEROS DE PIEZA Y UBICACIONES.

### SELECCION DEL VOLTAJE:

Haga girar el **PLATTER (2) - PLATO** hasta que se vea el **VOLTAGE SELECTOR (3) - SELECTOR DE VOLTAJE** (colocado en la **TURNTABLE BASE (1) - BASE DEL TOCADISCO**) a través de uno de los orificios en el plato. Cerciórese de que el **VOLTAGE SELECTOR (3)** esté arreglado para el voltaje correcto.

ADVERTENCIA: SI TRATA DE HACER FUNCIONAR EL TOCADISCO CON EL VOLTAJE INCORRECTO, CORRE EL RIESGO DE DAÑARLO.

### ASEGURAR LA CORREA DEL TOCADISCO:

La **TURNTABLE BELT (4A) - CORREA DEL TOCADISCO** está asegurada al **PLATTER (2)** y al **MOTOR SPINDLE (4B) - EJE DEL MOTOR** pero a veces se separa durant el envío. Haga girar el **PLATTER (2)** y mire por los orificios en el plato para verificar si la correa se ha separado. Si la correa no está bien envuelta alrededor del **PLATO (2)** y del **MOTOR SPINDLE (4B)**, hace falta asegurarla de nuevo.

1. Primero, coloque un destornillador en el centro de la **LOCKING WASHER (4C) - ARANDELA DE SEGURIDAD** alrededor del **CEN-**

**TER SPINDLE (4) - EJE CENTRAL** y quite la arandela cuidadosamente.

2. Quite el **PLATO (2)** y envuelva la correa alrededor del círculo interior debajo del plato. **NO HAGA EXTENDER LA CORREA.**

3. Reponga el plato y haga girar el **PLATTER (2)** hasta que se vea el eje del motor; entonces, ponga los dedos en el orificio en la parte superior del **PLATTER (2)**, busque y agarre la correa de caucho y asegúrela al eje del motor.

4. Reponga la arandela de seguridad.

### INSTALACION DEL TOCADISCO:

1. Coloque la **RUBBER MAT (5) - ESTERA DE GOMA** sobre el **PLATTER (2)**.
2. Ponga la **TURNTABLE BASE (1) - BASE DEL TOCADISCO** sobre una superficie plana y nivelada sin vibraciones. Use las patas del tocadisco para estabilizar la unidad en sentido horizontal.
3. Trate de colocar la unidad lo más lejos posible de los altoparlantes.
4. Mantenga la unidad alejada de la exposición directa del sol, calor, humedad o suciedad.
5. Mantenga la unidad bien ventilada.

### INSTALACIÓN DEL CARTUCHO: (VÉASE LA FIG. 2)

Debido a que todos los cartuchos son de diseño distinto, sírvase referirse a las instrucciones de su cartucho específico, para garantizar la instalación correcta.

1. Conecte los alambres conductores a los terminales del cartucho. Para su conveniencia, los terminales de la mayoría de los cartuchos están codificados por colores. Conecte cada alambre conductor al terminal del mismo color.

Blanco (I+).....Canal izquierdo +  
Azul (I-).....Canal izquierdo -  
Rojo (D+).....Canal derecho +  
Verde (D-).....Canal derecho -

2. Monte el cartucho dentro del **HEADSHELL (6) - PORTAFONO-CAPTOR** y apriételo con los tornillos incluidos con el cartucho.

#### ATENCIÓN USADORES DE LOS CARTUCHOS STANTON 680

Al usar un cartucho Stanton 680 o cartucho similar, en el cual el cuerpo se conectado a tierra a un terminal del cartucho, quite la correa de tierra del cuerpo del cartucho hacia el terminal de tierra del cartucho. Al no hacer esto puede resultar en zumbido excesivo.

### INSTALACIÓN DEL PORTAFONOCAPTOR:

Inserte el **HEADSHELL (6)** en la parte delantera del **TONE ARM (7) - BRAZO DE FONOCAPTOR** tubular. Sosteniendo el **HEADSHELL (6)** firmemente en posición horizontal, gire la **LOCKING NUT (8) - TUERCA FIADORA** hacia la izquierda hasta que el **HEADSHELL (6)** se haya asegurado en posición.

### INSTALACIÓN DEL CONTRAPESO:

#### (VÉASE LAS FIG. 3A Y 3B)

1. Deslice el **COUNTERWEIGHT (9) - CONTRAPESO** sobre la parte posterior del **TONE ARM (7)** con la medida de la aguja numerada hacia el frente.

2. Gire el **COUNTERWEIGHT (9)** ligeramente hacia la izquierda para enroscarlo en la parte posterior del **TONE ARM (7)**.

### AJUSTE DEL EQUILIBRIO CERO (0) HORIZONTAL Y PRESIÓN DE LA AGUJA:

1. Sin tocar la punta de la aguja, quite el protector de aguja (si el de su cartucho es removible).

2. Suelte el **ARM CLAMP (10) - SUJETABRAZO** y levante el **TONE ARM (7)** del **ARM REST (11) - DESCANSILLO**.

3. Si el **COUNTERWEIGHT (9)** se avanza hacia la izquierda, se bajará el lado del cartucho del **TONE ARM (7)**. Si el **COUNTERWEIGHT (9)** se avanza hacia la derecha ocurrirá lo contrario. Gire el **COUNTERWEIGHT (9)** hacia la derecha o la izquierda según sea necesario hasta que el **TONE ARM (7)** esté horizontalmente equilibrado. Ese equilibrio es fácil de determinar; espere el punto en que el **TONE ARM (7)** "flore" libremente.

4. Coloque el **TONE ARM** (7) sobre el **ARM REST** (11) y asegúrelo en posición con el **ARM CLAMP** (10).

5. Con el **TONE ARM** (7) enganchado en el **ARM REST** (11), sostenga el **COUNTERWEIGHT** (9) en una mano y gire el **STYLUS PRESSURE RING** (12) - **ANILLO DE PRESIÓN DEL ESTILETE** hasta que el número "0" en el anillo se alinee con la línea central del eje trasero del **TONE ARM** (7). El equilibrio horizontal en cero (0) deberá quedar completo.

6. Flote de nuevo el **TONE ARM** (7) para asegurarse que se haya obtenido el equilibrio horizontal en cero (0). Si no se ha mantenido este equilibrio, repita los pasos de **CONTRAPESO** (9) 3 al 5.

7. Después de ajustar el equilibrio cero (0) horizontal, gire el **COUNTERWEIGHT** (9) equilibrado hacia la izquierda hasta que aparezca en el **STYLUS PRESSURE RING** (12) - **ARO DE PRESIÓN DE AGUJA** la presión de aguja recomendada del fabricante del cartucho en el punto donde coincide con la línea central del eje posterior del **TONE ARM** (7).

## **AJUSTE DEL CONTROL ANTIDESLIZANTE:**

Fije el **ANTI-SKATING CONTROL** (13) - **CONTROL ANTI-DESILIZANTE** al mismo valor que la presión de la aguja.

NOTA: EL CARTUCHO DE CN- 25 QUE VIENE CON LA PLACA GIRATORIA TIENE UN RECOMENED EL SEGUIR DE LA FUERZA DE 3,0 GRAMOS Y PUEDE TENER GAMA A PARTIR DE 2,5 - 3,5 GRAMOS

## **INSTALACIÓN DE LA TAPA CONTRA POLVOS:**

1. Sostenga la tapa contra polvos en posición directamente arriba del tocadisco y deslice las bases de las bisagras en los portabisagras montados en el panel posterior.

2. Siempre levante la tapa contra polvos antes de quitarla.

3. Evite abrir y cerrar la tapa contra polvos cuando el tocadisco está en funcionamiento, ya que podría ocurrir vibración indeseable y saltos de la aguja.

## **CONEXIONES:**

1. Conecte el enchufe CA en un tomacorriente apropiado.

2. Véase el Cuadro A para las conexiones apropiadas de los enchufes de salida RCA y el conector a tierra. Cerciórese de que todos los enchufes estén firmemente conectados en los jack apropiados (entradas fonográficas). Para reducir el zumbido, cerciórese de que la orejeta a tierra esté firmemente conectado al tornillo de tierra.

### **CUADRO A**

CONECTORES DE SALIDA	MEZCLADOR O RECEPTOR
I (BLANCO)	I CANAL DEL FONÓGRAFO
D (ROJO)	D CANAL DEL FONÓGRAFO
TIERRA (Orejeta de paleta)	TORNILLA DE LA TIERRA

## **INSTRUCCIONES DE OPERACIÓN:**

### **OPERACIÓN BÁSICA:**

1. Ponga un disco sobre la **RUBBER MAT** (5) que descansa sobre el **PLATTER** (2).

2. Seleccione la velocidad deseada, oprimiendo el **SPEED SELECTOR** (19) - **BOTÓN SELECTOR DE VELOCIDAD** de 33 ó 45.

3. Ponga el **POWER** (14) - **INTERRUPTOR DE ENERGÍA** en la posición de "ENCENDIDO", en cuyo momento se encenderán el iluminador estroboscópico (incorporado en el **POWER** (14) y el indicador de velocidad (para la velocidad seleccionada).

4. Quite el protector de aguja (si se aplica a su cartucho).

5. Suelte el **ARM CLAMP** (10) que se encuentra en el **ARM REST** (11).

6. Oprima el **START/STOP** (17) - **BOTÓN DE ARRANQUE/PARADA**. El **PLATTER** (2) del tocadisco empezará a girar.

7. Oprima la **CUE LEVER** (20) - **PALANCA DE INDICACION** en la posición de "ARRIBA".

8. Sitúe el brazo de fonocaptor arriba del surco deseado en el disco y ponga la **CUE LEVER** (20) en la posición de "ABAJO". **TONE ARM** (7) se bajará lentamente sobre el disco en cuyo momento empezará a reproducir.

9. Una vez que haya terminado de reproducir, levante el **TONE ARM** (7), **MUEVALO** hacia el **ARM REST** (11) y fíjelo con el **ARM CLAMP** (10).

10. Ahora tiene la opción de apagar la unidad, pasando el **POWER** (14) a la posición de "APAGADO" o de detener el **PLATTER** (2), oprimiendo el **START/STOP** (17) y enganchando el freno electrónico.

## **INTERRUPCIÓN DE LA REPRODUCCIÓN:**

1. Oprimiendo la **CUE LEVER** (20) a la posición de "ARRIBA", causara que el **TONE ARM** (7) se levane y se detengá la reproducción.

2. Oprimiendo la **CUE LEVER** (20) a la posición de "ABAJO" causara que el **TONE ARM** (7) se baje lentamente sobre el disco en el lugar donde se interrumpió la reproducción.

3. El hecho de apretar el **START/STOP** (17) parará el **PLATTER** (2) y dejará el **TONE ARM** (7) en la última posición de reproducción en el disco.

## **REPRODUCCIÓN DE DISCOS DE 45 RPM:**

1. Para reproducir un disco de 45 rpm con un agujero central más grande, ponga primero el **45 ADAPTER** (21) - **ADAPTADOR DE 45** en el huso central.

2. Cerciórese de que se haya oprimido el **SPEED SELECTOR** (19) - **BOTÓN SELECTOR DE VELOCIDAD** y que esté iluminado el **SPEED INDICATOR 45** (18).

## **AJUSTE DEL CONTROL DE TONO:**

1. El aparato **XL-120MKII** está dotado de dos **PITCH CONTROLS** (15, 16)- **CONTROLES DE TONO**, uno para cada velocidad.

2. Cuando el **PITCH CONTROL** (15, 16) de la velocidad seleccionada esté descentrado, el tono puede variar de +/-6%.

3. **PLATTER** (2) está dotado de una **STROBE RPM INDICATOR STRIP** (22) - **TIRA INDICADORA DE RPM ESTROBOSCÓPICA**. Cuando el **PLATTER** (2) gira, las **STROBE ILLUMINATOR** (23) - **LUMIERES STROBOSCOPIQUES** iluminan la **STROBE RPM INDICATOR STRIP** (22). La fila inferior de puntos parecerá estar estacionaria cuando la velocidad del plato sea exactamente 33 RPM-50 Hz (230V). La fila superior parecerá estar estacionaria a 33 RPM-60 Hz (115V).

## **ESPECIFICACIONES:**

### **SECCIÓN DE TOCADISCO:**

Tipo.....Giradiscos manual accionado por correa  
Método de transmisión.....Transmisión por correa  
Motor.....Motor DC  
Velocidad.....33 1/3 ó 45 RPM  
El Sistema De frenos.....Electronic Frena Gimoteo y tremolación  
.....0,20% WRMS\*

\*ESTE VALOR SE REFIERE AL CONJUNTO DE TOCADISCO Y PLATO SOLAMENTE, Y EXCLUYE LOS EFECTOS DE LOS DISCOS, CARTUCHOS O BRAZOS DE FONOCAPTOR.

### **SECCIÓN DE BRAZO DE FONOCAPTOR:**

Tipo.....Brazo en S equilibrado estáticamente  
Peso del portafonocaptor.....5.6 g

### **GENERALIDADES:**

Fuente de alimentación.....115V 60Hz/230V 50Hz  
Consumo de energía.....15 vatios  
Dimensiones.....420 x 120 x 350 mm  
Peso.....5.1 kg

LAS ESPECIFICACIONES ESTÁN SUJETAS A CAMBIO SIN PREVIO AVISO. EL PESO Y LAS DIMENSIONES INDICADOS SON APROXIMACIONES.

## INTRODUCTION:

Nos félicitations à l'occasion de votre achat cette **table-tournante Gemini XL-120MKII**. Ce table-tournante très moderne inclut les caractéristiques technologiques les plus récentes. Avant de l'employer, lisez attentivement toutes les instructions.

## CARACTÉRISTIQUES:

- Bras de lecture en S
- Anti-Skating réglable
- Eclairage stroboscopique
- Touche Start/Stop
- Capot
- Vitesse réglable +/- 6%
- Livrée avec cellule et porte-cellule amovible
- Lecture 33/45 trs/mn
- Livrée avec feutrine "G"

## PRÉCAUTIONS:

1. Il est important de lire toutes les instructions de fonctionnement doivent être lues avant de vous servir de cet appareil.
2. Pour réduire le risque de chocs électriques, prière de ne pas ouvrir l'appareil. **IL NE CONTIENT PAS DE PIÈCES À REMPLACER PAR L'UTILISATEUR À L'INTÉRIEUR**. Prière de contacter le Service technique de Gemini ou votre concessionnaire homologué pour parler à un technicien homologué.
3. Les roulements du bras de lecture ont été ajustés et scellés à l'usine. Toute tentative d'ajustement ou de réglage annulera la garantie.
4. Avant de faire les branchements, vérifiez que l'appareil n'est pas sous tension.
5. Le câblage doit avoir une faible capacité; il doit être blindé et avoir la bonne longueur. Tous les jacks et fiches doivent être bien serrés et convenablement branchés.
6. Commencez toujours en ayant les commandes des régleurs du niveau acoustique/volume réglées sur minimum et la (les) commande(s) du volume des haut-parleurs sur **OFF** (arrêt). Attendez 8 à 10 secondes avant d'accroître le volume des haut-parleurs pour prévenir le "bruit" transitoire qui pourrait endommager des haut-parleurs.
7. Protégez cet appareil contre la pluie et l'humidité.
8. N'utilisez aucun produit de nettoyage ou lubrifiant pulvérisé sur les commandes ou interrupteurs.

## LISTE DES PIÈCES:

Table-tournante.....	1
Plateau du table-tournante.....	1
Tapis en caoutchouc.....	1
Couvercle anti-poussière.....	1
Articulation du couvercle anti-poussière.....	2
Adaptateur 45 rpm.....	1
Contrepoids.....	1
Coquille pour aiguille.....	1

## MONTAGE ET CONFIGURATION:

NOTA: VOIR LA FIGURE 1 POUR LES NUMEROS DES PIÈCES ET SLES EMBLEMENTS.

### SELECTION DE LA TENSION:

Faites tourner le **PLATTER (2) - PLATEAU** jusqu'à ce que le **VOLTAGE SELECTOR (3) - SELECTEUR DE LA TENSION** (situé sur **TABLE BASE (1) - L'EMBASE DE LA TABLE TOURNANTE**) soit visible à travers un des orifices du plateau. Assurez-vous que le **VOLTAGE SELECTOR (3)** occupe le réglage de tension correct.

AVERTISSEMENT: SI VOUS ESSAYEZ DE FAIRE FONCTIONNER LA TABLE TOURNANTE AVEC UNE TENSION INCORRECTE, VOUS RISQUEZ D'ENDOMMAGER VOTRE TABLE TOURNANTE.

### ATTACHER LA COURROIE DE LA PLATINE VINYLE:

La **TURNTABLE BELT (4A) - COURROIE DE LA PLATINE VINYLE** est généralement attachée au **PLATTER (2) - PLATEAU** et à **MOTOR SPINDLE (4B) - L'ARBRE MOTEUR** mais parfois elle peut se détacher durant le transport. Faites tourner le **PLATTER (2)** et regardez à travers les trous dans le plateau pour voir si la courroie est détachée. Si la courroie n'est pas bien en place autour du plateau et de **MOTOR SPINDLE (4B)**, vous devez l'attacher de nouveau.

1. Placez d'abord un tournevis au centre de la **LOCKING WASHER (4C) - RONDELLE DE VERROUILLAGE** située autour de **CENTER SPINDLE (4) - L'ARBRE CENTRAL** et enlevez la rondelle tout doucement.

2. Enlevez le plateau et enveloppez la courroie autour du cercle intérieur du plateau. **N'ETIREZ PAS LA COURROIE.**

3. Remettez le plateau en place et faites tourner le **PLATTER (2)** jusqu'à ce que **MOTOR SPINDLE (4B)** soit visible; puis, à travers les trous du plateau, attrapez la courroie et placez la autour de l'axe moteur.

4. Remettez la rondelle de verrouillage en place.

### INSTALLATION DE LA TABLE TOURNANTE:

1. Placez le **RUBBER MAT (5) - TAPIS EN CAOUTCHOUC** sur le **PLATTER (2)**.

2. Placez **TABLE BASE (1)** sur une surface plate et équilibrée sans vibrations. Utilisez les pieds pour stabiliser l'appareil horizontalement.

3. Essayez de placer l'appareil aussi loin que possible des haut-parleurs.

4. Protégez l'appareil contre les rayons directs du soleil, la chaleur, l'humidité et les saletés.

5. Assurez une bonne ventilation pour l'appareil.

### INSTALLATION DE LA CARTOUCHE:(VOIR LA FIGURE 2)

Etant donné que toutes les cartouches ont leurs propres particularités, consultez les instructions de votre cartouche pour vous assurer d'une bonne installation.

1. Branchez les fils aux bornes de la cartouche. Pour vous faciliter la tâche, les bornes de la plupart des cartouches sont codées par couleurs. Branchez chaque fil à la borne de la même couleur.

Blanc (L+).....Canal gauche +  
Bleu (L-).....Canal gauche -  
Rouge (R+).....Canal droit +  
Vert (R-).....Canal droit -

2. Installez la cartouche dans **HEADSHELL (6) - LA COQUILLE** et serrez-la bien avec les vis fournies avec la cartouche.

#### **ATTENTION AUX UTILISATEURS DE LA CARTOUCHE STANTON 680**

Lorsque vous utilisez une cartouche Stanton 680 ou semblable, pour laquelle le corps est mis à la masse à une borne de la cartouche, enlevez la liaison de mise à la masse du corps de la cartouche allant à la borne de mise à la masse de la cartouche. Un ronflement excessif se produira si vous ne le faites pas.

### INSTALLATION DE LA COQUILLE:

Introduisez **HEADSHELL (6)** sur le devant du **TONE ARM (7) - BRAS DE LECTURE** - tubulaire. Tout en tenant **HEADSHELL (6)** fermement dans la position horizontale, tournez **LOCKING NUT (8) - L'ECROU DE BLOCAGE** dans le sens antihoraire jusqu'à ce que **HEADSHELL (6)** soit verrouillée en place.

### INSTALLATION DU CONTREPOIDS:

#### (VOIR LES FIGURES 3A ET 3B)

1. Glissez le **COUNTERWEIGHT (9) - CONTREPOIDS** sur l'extrémité arrière du **TONE ARM (7)**, la jauge de l'aiguille numérotée étant tournée vers l'avant.

2. Tournez le **COUNTERWEIGHT (9)** légèrement dans le sens antihoraire pour le visser sur l'extrémité arrière du tone arm (7).

### REGLAGE DE L'EQUILIBRE ZERO (0) HORIZONTAL ET DE LA PRESSION DE L'AIGUILLE:

1. Sans toucher la pointe de l'aiguille, enlevez la protection de l'aiguille (si celle de votre cartouche est détachable).

2. Desserrez le **ARM CLAMP (10) - SERRE-BRAS** et soulevez le **TONE ARM (7)** du **ARM REST (11) - PORTE-BRAS**.

3. L'avancement dans le sens inverse des aiguilles d'une montre du **COUNTERWEIGHT (9)** produira la descente de la cellule de lecture montée sur le **TONE ARM (7)**. L'avancement dans le sens horaire des aiguilles d'une montre produira l'opposé. Tournez le **COUNTERWEIGHT (9)** dans le sens horaire ou dans le sens inverse des aiguilles d'une montre selon le besoin, jusqu'à ce que le **BRAS DE LECTURE** soit équilibré horizontalement. Ce moment se produit, et vous le verrez facilement, lorsque le **TONE ARM (7)** "flotte" librement.

4. Placez le **TONE ARM** (7) sur le **ARM REST** (11) bloquez-le en place avec le **ARM CLAMP** (10).

5. Le **TONE ARM** (7) étant verrouillé sur le **ARM REST** (11), stabilisez le **COUNTER WEIGHT** (9) avec une main tout en tournant **STYLUS PRESSURE RING** (12) - **L'ANNEAU DE PRESSION DE L'AIGUILLE** jusqu'à ce que le numéro "0" sur l'anneau s'aligne avec la ligne médiane sur l'arbre arrière du **TONE ARM** (7). L'équilibre zéro horizontal (0) devrait être complété.

6. Faites flotter le **TONE ARM** (7) de nouveau pour vous assurer de l'équilibre zéro horizontal (0). Si l'équilibre zéro n'est pas maintenu, répétez les étapes 3-5 du contrepoids.

7. Après le réglage de l'équilibre zéro (0) horizontal, tournez le **COUNTERWEIGHT** (9) équilibré dans le sens inverse des aiguilles d'une montre jusqu'à ce que la pression de l'aiguille recommandée par le fabricant de la cellule de lecture apparaisse sur la **STYLUS PRESSURE RING** (12) **BAGUE DE PRESSION DE L'AIGUILLE** là où elle rencontre la ligne médiane de l'arbre arrière du **TONE ARM** (7).

### **REGLAGE DE LA COMMANDE ANTI-DERAPAGE:**

Mettez la **ANTI-SKATING CONTROL** (13) - **COMMANDE ANTI-DERAPAGE** à la même valeur que celle de la pression de l'aiguille.

**NOTE: LA CARTOUCHE DE CN- 25 QUI VIENT AVEC LA PLATEAU TOURNE-DISQUES A UN RECOMMENDE DÉPISTER LA FORCE DE 3,0 GRAMMES ET PEUT AVOIR LA GAMME DE 2,5 - 3,5 GRAMMES**

### **INSTALLATION DU COUVERCLE ANTI-POUSSIÈRE:**

1. Tenez le couvercle anti-poussière en position, directement au-dessus du table-tournante, et glissez les bases des articulations dans les porte-articulations se trouvant sur le panneau arrière.

2. Soulevez toujours le couvercle anti-poussière avant son enlèvement.

3. N'ouvrez et ne fermez pas le couvercle durant le fonctionnement du tourne-disque. Ceci pourrait produire des vibrations indésirées et le dérapage de l'aiguille.

## **CONNEXIONS:**

1. Branchez la fiche à courant alternatif à une prise adéquate.

2. Voir la Table A pour les connexions correctes des fiches RCA de sortie et du connecteur de mise à la terre. Assurez-vous que toutes les fiches sont solidement raccordées dans les jacks corrects (entrées phono). Pour réduire le ronronnement, assurez-vous que l'oreille de mise à la terre se branche solidement à la vis de mise à la terre.

**TABLEAU A**

CONNECTEURS DE SORTIE	MELANGEUR OU RECEPTEUR
L (BLANC)	L CANAL PHONO
R (ROUGE)	R CANAL PHONO
Masse (Oeillet)	Vis de mise à la masse

## **MODE D'EMPLOI:**

### **FONCTIONNEMENT DE BASE:**

1. Placez un disque sur le **RUBBER MAT** (5) se trouvant sur le **PLATTER** (2).

2. Choisissez la vitesse désirée en appuyant sur le **SPEED SELECTOR** (19) - **SELECTEUR DE VITESSE** de 33 ou de 45.

3. Mettez l'**INTERRUPTEUR DE MISE SOUS TENSION - POWER** (14) sur la position "ON" (Sous tension); à ce moment, la source **LUMINEUSE STROBOSCOPIQUE** (intégrée à **POWER** (14) et l'indicateur de vitesse (pour la vitesse choisie) s'allumera.

4. Enlevez la protection de l'aiguille (si elle fait partie de votre cartouche).

5. Libérez le **ARM CLAMP** (10) qui se trouve sur le **ARM REST** (11).

6. Appuyez sur le **START/STOP** (17) **BOU-TON MARCHE/ARRET**. Le **PLATTER** (2) du table-tournante commencera à tourner.

7. Poussez le **CUE LEVER** (20) - **LEVIER DE COMMANDE** vers la position "UP" (haut).

8. Positionnez le bras de lecture au-dessus du sillon désiré du disque et poussez le **CUE LEVER** (20) vers la position "DOWN" (Bas). Le **TONE ARM** (7) descendra lentement et déposera l'aiguille sur le disque; à ce moment, vous entendrez l'enregistrement.

9. Une fois l'enregistrement terminé, soulevez le **TONE ARM** (7), guidez-le vers le **ARM REST** (11) et bloquez-le à l'aide du **ARM CLAMP** (10).

10. Maintenant, vous avez le choix de mettre l'appareil hors tension en tournant **POWER** (14) sur la position "OFF" (hors tension) ou d'arrêter le **PLATTER** (2) en appuyant sur le **START/STOP** (17) - **BOU-TON MARCHE/ARRET** pour activer le frein électronique.

### **MARCHE INTERROMPUE:**

1. Lorsque vous poussez le **CUE LEVER** (20) - **LEVIER DE COMMANDE** vers la position "UP" (haut), le **TONE ARM** (7) montera et arrêtera l'audio.

2. Lorsque vous poussez le **CUE LEVER** (20) vers la position "DOWN" (bas), le **TONE ARM** (7) descendra lentement et déposera l'aiguille sur le disque au point où l'audio avait été interrompue.

3. Lorsque vous appuyez sur le **START/STOP** (17), le **PLATTER** (2) sera mis au repos et laissera le **TONE ARM** (7) à la dernière position de jeu sur le disque.

### **DISQUES DE 45 T/MN:**

1. Lorsque vous jouez un disque de 45 t/mn avec un grand trou au centre, placez d'abord **45 ADAPTER** (21) - **L'ADAPTEUR 45** sur l'axe central.

2. Assurez-vous d'appuyer sur le **SPEED SELECTOR** (19) - **SELECTEUR DE VITESSE 45** et que **SPEED INDICATOR** (18) - **L'INDICATEUR DE VITESSE 45** est allumé.

### **D. REGLAGE DE LA COMMANDE DE LA HAUTEUR TONALE:**

1. L'appareil **XL-120MKII** est doté de deux **PITCH CONTROLS** (15, 16) - **COMMANDES DE LA HAUTEUR TONALE**, une pour chaque vitesse.

2. Lorsque la **PITCH CONTROL** (15, 16) pour la vitesse choisie n'occupe pas la position centrale, la hauteur tonale peut varier de +/-6%.

3. Le **PLATTER** (2) est équipé d'une **STROBE RPM INDICATOR STRIP** (22) - **BANDE INDICATRICE RPM**. Lorsque le **PLATTER** (2) tourne, les **LUMIERES STROBOSCOPIQUES** (23) allumeront la **STROBE RPM INDICATOR STRIP** (22). La rangée de points inférieure apparaîtra comme étant stationnaire lorsque la vitesse du plateau est exactement 33 t/mn-50 Hz (230V). La rangée supérieure apparaîtra comme stationnaire à 33 t/mn-60 Hz (115V).

## **SPECIFICATIONS:**

### **PARTIE DU TABLE-TOURNANTE:**

Type.....Table tournante manuelle entraînée par courroie  
Méthode de transmission.....Transmission par courroie  
Moteur.....Moteur DC  
Vitesse.....33 1/3 ou 45 t/mn  
Le Circuit De Freinage.....Electronic Frein  
Pleurage et scintillement.....0,20% WRMS\*

\*CETTE VALEUR NE CORRESPOND QU'AU TOURNE-DISQUE ET AU PLATEAU, À L'EXCLUSION DES EFFETS PRODUITS PAR LES DISQUES, LES CARTOUCHES OU LES BRAS DE LECTURES.

### **PARTIE DU BRAS DE LECTURE:**

Type.....Bras en S à équilibrage statique  
Poids de la coquille.....5.6

### **GENERALITES:**

Alimentation électrique.....115V 60Hz/230 V 50 Hz  
Consommation.....15 W  
Dimensions.....420 x 120 x 350 mm  
Poids.....5.1 kg

LES SPÉCIFICATIONS PEUVENT CHANGER SANS PRÉAVIS. LE POIDS ET LES DIMENSIONS INDIQUÉS SONT APPROXIMATIFS.

# NOTES

# NOTES

# NOTES

# **gemini<sup>®</sup>**

**IN THE USA: IF YOU EXPERIENCE PROBLEMS WITH THIS UNIT, CALL 1-732-738-9003 FOR GEMINI CUSTOMER SERVICE. DO NOT ATTEMPT TO RETURN THIS EQUIPMENT TO YOUR DEALER.**

Parts of the design of this product may be protected by worldwide patents. Information in this manual is subject to change without notice and does not represent a commitment on the part of the vendor. Gemini Sound Products Corp. shall not be liable for any loss or damage whatsoever arising from the use of information or any error contained in this manual. No part of this manual may be reproduced, stored in a retrieval system or transmitted, in any form or by any means, electronic, electrical, mechanical, optical, chemical, including photocopying and recording, for any purpose without the express written permission of Gemini Sound Products Corp. It is recommended that all maintenance and service on this product is performed by Gemini Sound Products Corp. or its authorized agents. Gemini Sound Products Corp. will not accept liability for loss or damage caused by maintenance or repair performed by unauthorized personnel.



**Worldwide Headquarters • 120 Clover Place, Edison, NJ 08837 • USA  
Tel: (732) 738-9003 • Fax: (732) 738-9006**

France • Gemini France (GSL) • 1, Allée d'Effiat, Parc de l'événement, 91160 Longjumeau, France  
Tél: + 33 1 69 79 97 70 • Fax: + 33 1 69 79 97 80

Germany • Gemini Sound Products GmbH • Liebigstr. 16, Haus B - 3.0G, 85757 Karlsfeld, Germany  
Tel: 08131 - 39171-0 • Fax: 08131 - 39171-9

UK • Gemini Sound Products • Unit C4 Hazleton Industrial Estate, P08 9JU Waterlooville, UK  
Tel: 087 087 00880 • Fax: 087 087 00990

Spain • Gemini Sound Products S.A. • Rosello, 516, 08026 Barcelona, Spain,  
Tel: 349-3435-0814 • Fax: 3493-347-6961

---

**© Gemini Sound Products Corp. 2004 All Rights Reserved.**